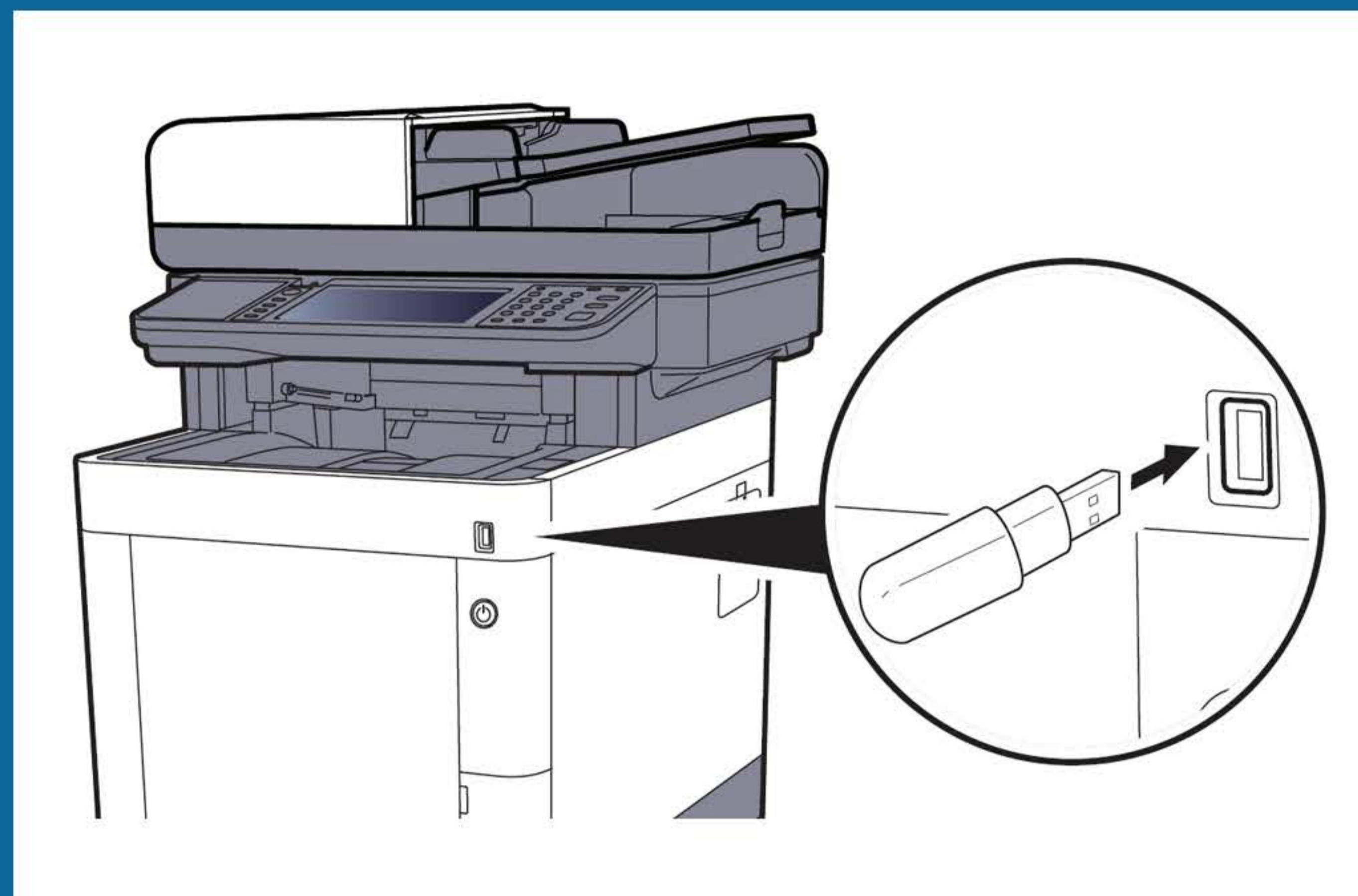


PRINT FROM A USB MEMORY

1 Plug the USB memory.

When the machine reads the USB memory, "Removable Memory is recognized. Displaying files. Are you sure?" may appear. Select **YES**



Displays the removable memory screen.

2 Print the document.

- A** Select the folder containing the file to be printed. The machine will display documents in the top 3 folder levels, including the root folder.
- B** Select the file to be printed > **PRINT**
- C** Change the number of copies, duplex printing, etc. as desired.
- D** Press the **START** key.

IMPORTANT

The following file types can be printed: **PDF** file (Version 1.7 or older) / **TIFF** file (TIFF V6/TTN2 format) / **JPEG** file / **XPS** file / **OpenXPS** file / **Encrypted PDF** file

Files to be printed should be saved no further down than the **top 3 folder levels**, including the root folder.

Please contact library staff for any questions or help with printing.